

# PETOL TUBING TONGS

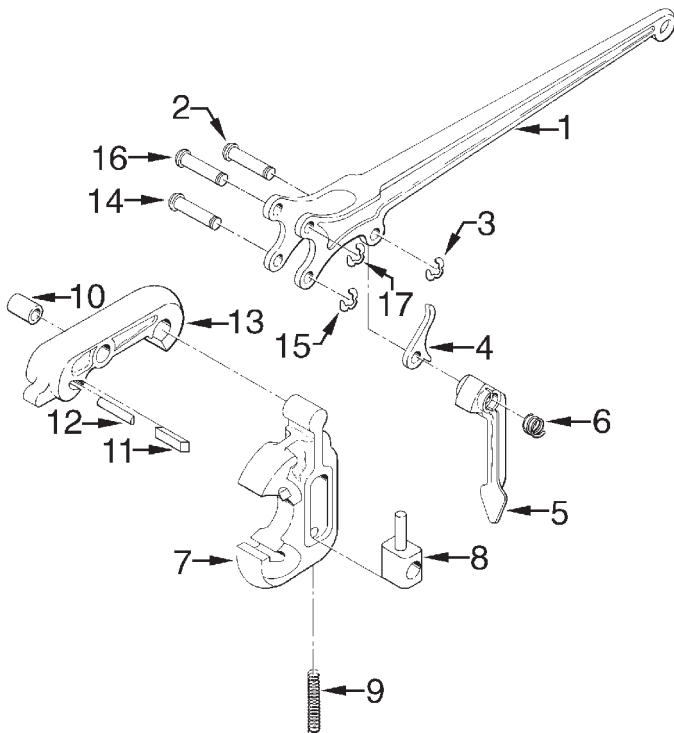


PETOL TUBING TONGS were the first “snap-on” tubing tongs on the market and their outstanding features make them a leader throughout the oil, mining and water well drilling industries.

These tongs have a cam lever which can be used to open the jaw and to lock them on the tubing to assure positive grip.

CATALOG NO.	O.D.	HANDLE LENGTH	WEIGHT
<b>MEDIUM HEAVY DUTY</b>			
TMA2002375	2.375"	28"	17 lbs.
TMA2502875	2.875"	30"	19 lbs.
TMA2503063	3.063"	30"	19 lbs.
TMA3003500	3.500"	31"	25 lbs.
TMA3003668	3.668"	31"	26 lbs.
TMA3504000	4.000"	31"	28 lbs.
TMA3504250	4.250"	31"	29 lbs.
TMA4004500	4.500"	35"	32 lbs.
<b>HEAVY DUTY</b>			
THA2002375	2.375"	36"	27 lbs.
THA2502875	2.875"	40"	30 lbs.
THA2503063	3.063"	40"	30 lbs.
THA3003500	3.500"	36"	35 lbs.
THA3003668	3.668"	36"	36 lbs.
THA3504000	4.000"	36"	36 lbs.
THA4004500	4.500"	40"	51 lbs.

**WARNING!** Use as a hand tool only. Do Not Strike, use a “cheater” or extend handle. **SERIOUS INJURY** may result if used improperly.



NOTE: PARTS MAY VARY SLIGHTLY AMONG SIZES. CALL FACTORY FOR DETAILS.

KEY NO.	ITEM DESCRIPTION	NO. REQ'D.
1	HANDLE	1
2,3	CAM LEVER RIVET w/KLIPRING	1
4	CAM PAWL	1
5	CAM LEVER	1
6	CAM LEVER SPRING	1
7	LOWER JAW	1
8	LOWER JAW BUSHING	1
9	SPRING	1
10	UPPER JAW BUSHING	1
11	HI-SPEED STEEL BIT	3
12	STEEL LOCK WEDGE	3
13	UPPER JAW	1
14,15	LOWER JAW RIVET w/KLIPRING	1
16,17	UPPER JAW RIVET w/KLIPRING	1