

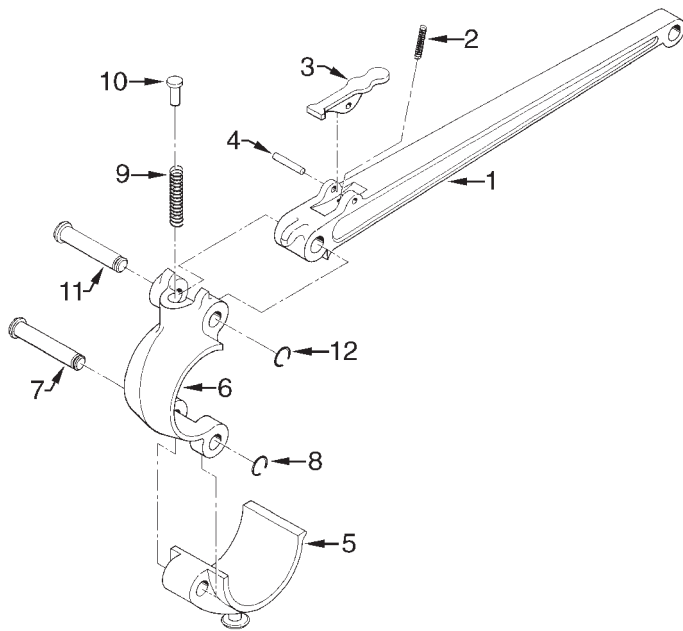
TITAN SHOTHOLE CASING TONGS



TITAN SHOTHOLE CASING TONGS are lightweight and feature friction jaws that will not crush or mar the casing. The tongs are full opening for easy and rapid application, and have perfect ratcheting action.

CATALOG NO.	O.D.	HANDLE LENGTH	WEIGHT
SHA3	3.000"	26"	8 lbs.

**WARNING! Use as a hand tool only.
Do Not Strike, use a "cheater" or
extend handle. SERIOUS INJURY
may result if used improperly.**



KEY NO.	ITEM DESCRIPTION	NO. REQ'D.
1	HANDLE	1
2	LATCH SPRING	1
3	LATCH	1
4	LATCH RIVET	1
5	LOWER JAW	1
6	UPPER JAW	1
7,8	JAW RIVET W / KLIPRING	1
9	SPRING	1
10	SPRING GUIDE	1
11,12	HANDLE RIVET W / KLIPRING	1

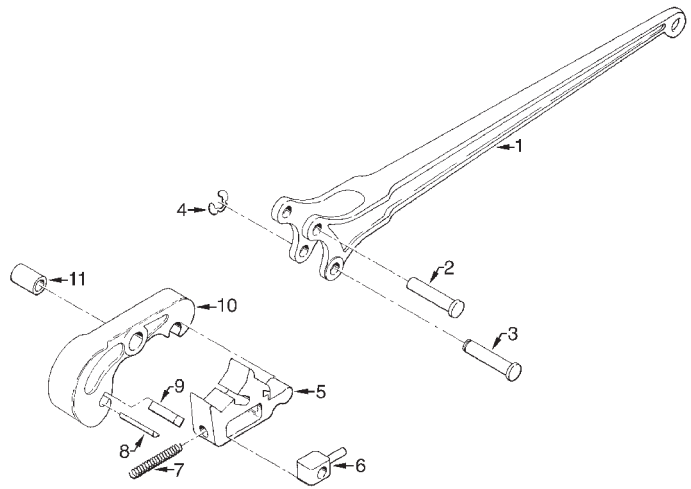
PETOL PIPE TONGS



PETOL PIPE TONGS are highly engineered tongs which are light and safe. These tongs are a radical departure in design from the old style "scissor-type" tongs. When applied to the pipe they grip instantly and permit perfect ratcheting action. The tongs are easily snapped on and off and provide a positive, noncrushing grip. The single handle not only makes the tongs lighter than the scissor type tong, but also eliminates the danger of mashing fingers. The tongs are made from high quality alloy steel to withstand rugged service.

CATALOG NO.	O.D.	HANDLE LENGTH	WEIGHT
PA2	2.375"	42"	19 lbs.
PA25	2.875"	49"	24 lbs.
PA3	3.500"	56"	32 lbs.
PA4	4.500"	63"	40 lbs.

**WARNING! Use as a hand tool only.
Do Not Strike, use a "cheater" or
extend handle. SERIOUS INJURY
may result if used improperly.**



KEY NO.	ITEM DESCRIPTION	NO. REQ'D.
1	HANDLE	1
2	UPPER JAW RIVET	1
3,4	LOWER JAW RIVET W / KLIPRING	1
5	LOWER JAW	1
6	LOWER JAW BUSHING	1
7	SPRING	1
8	STEEL WEDGE	2
9	HI-SPEED STEEL BIT	2
10	UPPER JAW	1
11	UPPER JAW BUSHING	1