

“Model 8570 is so well-built that the uses never end. I ended up getting another unit and am now promoting it to all my gear machine manufacturers. Now that we have these units, I can’t imagine what we did without them!”

-Ross Deneau, Manufacturing Manager, Engineered Tools Corporation

MODEL 8570



Lifting Applications

Ideal for any lifting and moving application. The Sky Hook Industrial Lifting Device Model 8570 is perfect for tight, hard-to-reach locations with the added convenience of a utility cart.



Accessory 8515 Vise Hook and Accessory CW1-8570 Individual Counterweight shown above (Sold separately)

- Designed to lift, transport and store machine accessories, material or heavy awkward items
- Load limit 500 lbs. (227 kg)
- Sky Hook weighs 26 lbs. (11.8 kg)
- Base weighs 178 lbs. (80.7 kg)
- Prevents lifting injuries
- Does the work of 4 people
- Meets O.S.H.A. requirements

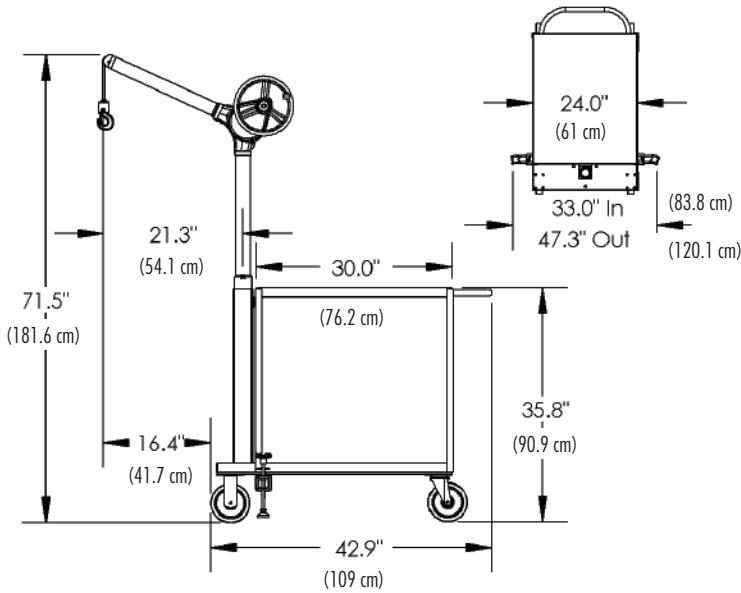
COUNTERWEIGHT REQUIRED NOTE: Counterweight must be at least **125%** of lifted weight.

Option 1	Customer supplies own counterweight.	Counterweight used must be at least 125% of lifted weight.
Option 2	Accessory CW-8570 (Complete Counterweight Kit)	This kit, CW-8570, allows a load capacity of 500 lbs. to be lifted.
Option 3	Accessory CW1-8570 (Individual Counterweight)	If less than 500 lbs. capacity is needed, individual weights may be used.

industry leader since 1969

SKY HOOK

MODEL 8570 w/MOBILE CART



Sky Hook Model 8570 is a “mobile” version of the original Model 8527 Sky Hook. More flexible than an overhead crane, this mobile lifting device can be moved from location to location, and is designed to fit narrow aisles and tight, hard-to-reach areas. Model 8570 w/mobile cart allows you to lift, transport and store machine accessories, material, or heavy awkward items while preventing serious back injuries.

Sky Hook Model 8570 is ideal for customers with CNC equipment who need a manual lifting device with a mobile cart without legs extending under the machine. Also, Model 8570 has the added benefit of a top shelf for storing tools, materials, or components. CNC users are not our only Model 8570 users–this lifting device is also the ideal solution for many other general lifting applications.

Model 8570 allows you to reach into equipment, lift an object up to 500 lbs. and rotate it 360°. And–it gets into those tight areas you can’t get to with a forklift! For specialty applications, custom units of Model 8570 are also available.

For more information visit www.skyhookmfr.com

Specifications

- Load limit 500 lbs. (227 kg)
- Sky Hook weighs 26 lbs. (11.8 kg)
- Base weighs 178 lbs. (80.7 kg)
- 75” (190.5 cm) Length of lift
- Overall height of Sky Hook from floor is 71.5” (181.6 cm)
- One rotation of hand wheel = approx. 1” (2.5 cm) of vertical lift
- 360° Rotation with outrigger legs extended
- Fits through a standard 3’0” (91.4 cm) door
- 6” (15.2 cm) Casters allow for easy movement
- Heavy duty 12ga. steel shelves
- Fully welded cart
- Constructed of high-strength steel
- Counterweight required (See options chart on front)



Features & Benefits

- Designed to lift, transport and store machine accessories, material or heavy awkward items
- Prevents lifting injuries
- Uses one hand operation that does the work of 4 people
- Safely lift & position up to 500 lbs. (227 kg) with one person
- Reaches easily into machine without legs under load
- Rotates 360° with outrigger legs extended
- Designed for precision positioning
- Operates in tight working conditions
- Designed to fit a 3 ft. (91.4 cm) standard aisle and tight, hard-to-reach areas
- Is totally maintenance free
- Has removable boom
- Has a limited manufacturer’s warranty
- Meets applicable O.S.H.A. requirements

Accessories



Choker Collar
Accessory Model 8507



Chuck Hook
Accessory Model 8520



Vise Hook
Accessory Model 8515



Nylon Sling
Accessory Model 8510 Series