

**“The Sky Hook Model 8557 is working beyond our expectations... We have two units and are looking at purchasing a third because it functions so well for all of our air conditioning compressor installations.”**

-Jeffrey A., Medical Systems customer

# MODEL 8557



- Designed to straddle the corner of benches, pallets, etc.
- Load limit 500 lbs. (227 kg)
- Sky Hook weighs 26 lbs. (11.8 kg)
- Base weighs 92 lbs. (41.7)
- Prevents lifting injuries
- Does the work of 4 people
- Meets O.S.H.A. requirements

### **Lifting Applications**

Perfect for any lifting and moving application. Ideal for tight, hard-to-reach locations where you can't get other lifting devices or multiple people to assist you.

industry leader since 1969

# SKY HOOK

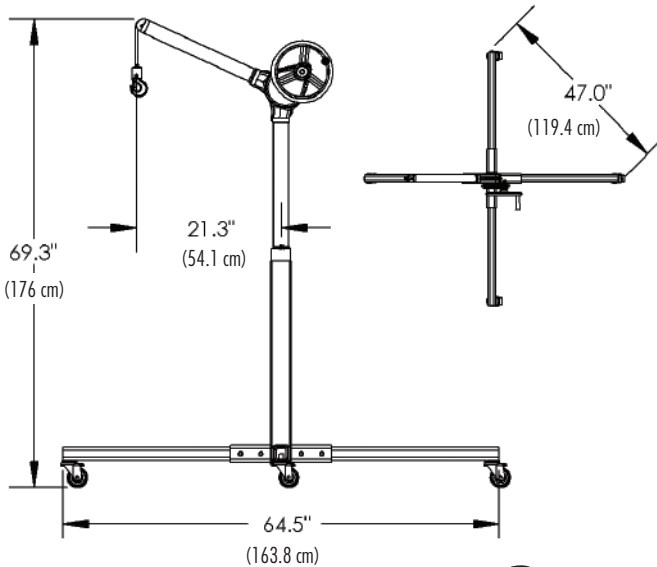
# MODEL 8557 w/MOBILE BASE

**The Sky Hook Lifting Device Model 8557** is a lightweight portable, manual lifting device ideal for tight, hard-to-reach areas where you can't get other lifting devices or multiple people to assist you. Model 8557 is the solution for lifting and transporting items off of and onto benches or pallets and is great for general material handling such as pulling out pumps, motors, and other parts. Model 8557 is ideal for maintenance and service departments and costs less than a forklift or crane—with the added benefit of maneuverability.

**It's easy to take it just about anywhere—even to a job site—** because Sky Hook Model 8557 easily disassembles into sections weighing 34 lbs. or less. The added value of 360° rotation with the ability to straddle the corner of benches, pallets, etc. makes it the perfect portable, manual lifting device for you.

**Back injuries and manpower are reduced** because Sky Hook Model 8557 can be used by one person to safely lift and position up to 500 lbs. For specialty applications, custom units of Sky Hook Model 8557 are also available.

**For more descriptive product info visit [www.skyhookmfr.com](http://www.skyhookmfr.com)**



## Specifications

- Load limit 500 lbs. (227 kg)
- Sky Hook weighs 26 lbs. (11.8 kg)
- Base weighs 92 lbs. (41.7 kg)
- Pivots 360°
- 75" (190.5 cm) Length of lift
- Overall height of Sky Hook from floor is 69.3" (176 cm)
- One rotation of hand wheel = approx. 1" (2.5 cm) of vertical lift
- Easily detached and carried to different locations
- Four swivel casters for portable lifting
- Constructed of high-strength steel

## Features & Benefits

- Designed to straddle the corner of benches, pallets, etc.
- Prevents lifting injuries
- Rotates 360°
- Uses one hand operation that does the work of 4 people
- Safely lift & position up to 500 lbs. (227 kg) with one person
- Designed for precision positioning
- Operates in tight working conditions
- Is totally maintenance free
- Has removable boom
- Disassembles for transport
- Has a limited manufacturer's warranty
- Meets applicable O.S.H.A. requirements

## Accessories



**Choker Collar**  
Accessory Model 8507



**Chuck Hook**  
Accessory Model 8520



**Vise Hook**  
Accessory Model 8515



**Nylon Sling**  
Accessory Model 8510 Series