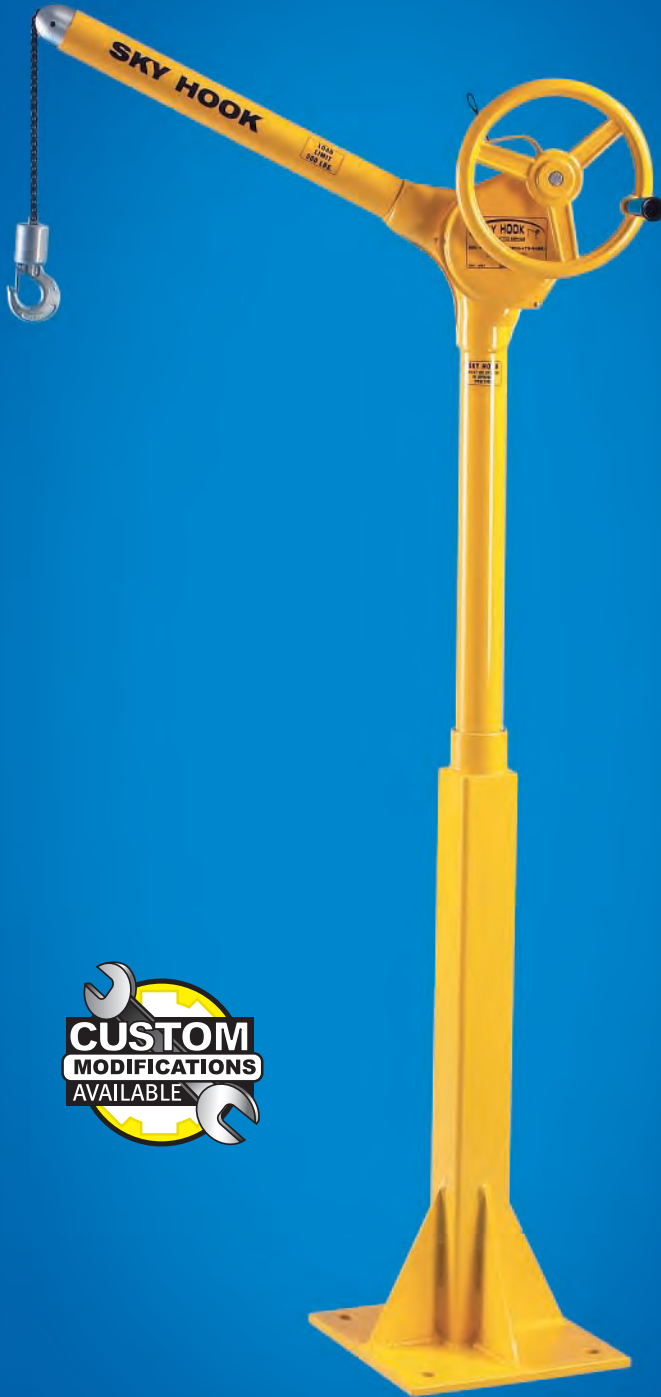


“The Sky Hook does all the work, helping us prevent back injuries. Machine accessory lifting in our crowded area is no longer a problem.”

-Andy Alexander, Benlan Inc.

MODEL 8550



- Designed to bolt easily to floor or any suitable flat surface
- Load limit 500 lbs. (227 kg)
- Sky Hook weighs 26 lbs. (11.8 kg)
- Base weighs 42 lbs. (19.1 kg)
- Prevents lifting injuries
- Does the work of 4 people
- Meets O.S.H.A. requirements

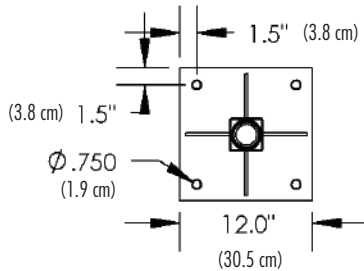
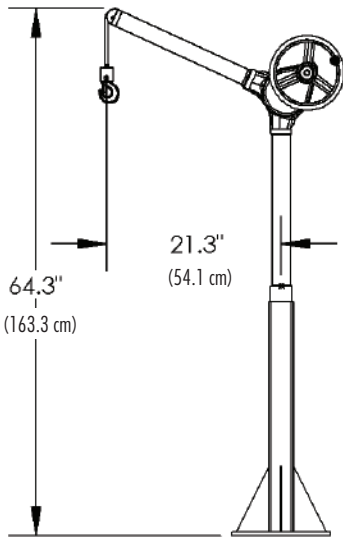
Lifting Applications

Ideal for mounting to floor near machine or equipment to handle a large variety of lifting applications.

industry leader since 1969

SKY HOOK

MODEL 8550 w/FLOOR MOUNT BASE



Designed to bolt easily to floors, Sky Hook Model 8550

is perfect for those applications where you want a unit ready to do the heavy lifting sitting right next to your machine or equipment. This versatile unit works well in welding departments, assembly and production areas, repair stations, loading docks, marine docks, and boat or ship decks.

Using just one person, the Sky Hook Model 8550 makes lifting up to 500 lbs. possible—yet the Sky Hook itself weighs just 26 lbs. Additionally, with Model 8550 just one person can safely lift and pivot the load 360° for precision positioning. As an added benefit, Sky Hook Model 8550 functions well in tight working conditions and is less expensive than a forklift, overhead crane, or chain hoist.

If you need to move or lift machine parts or heavy items, you're at risk for back sprains, muscle pulls, wrist injuries, elbow injuries, spinal injuries, and other damage caused by lifting heavy objects. Sky Hook Model 8550 reduces those risks and does the heavy lifting for you. For specialty applications, custom units of Sky Hook Model 8550 are also available.

For more descriptive product info visit www.skyhookmfr.com

Specifications

- Load limit 500 lbs. (227 kg)
- Sky Hook weighs 26 lbs. (11.8 kg)
- Base weighs 42 lbs. (19.1 kg)
- Pivots 360°
- 75" (190.5 cm) Length of lift
- Overall height of Sky Hook including base is 64.3" (163.3 cm)
- One rotation of hand wheel = approx. 1" (2.5 cm) of vertical lift
- Easily detached and carried to different locations
- Constructed of high-strength steel



Features & Benefits

- Designed to bolt easily to floor or any suitable flat surface
- Prevents lifting injuries
- Uses one hand operation that does the work of 4 people
- Safely lifts & position up to 500 lbs. (227kg) with one person
- Rotates 360°
- Designed for precision positioning
- Operates in tight working conditions
- Totally maintenance free
- Has removable boom for easy transport
- Has a limited manufacturer's warranty
- Meets applicable O.S.H.A. requirements

Accessories



Choker Collar
Accessory Model 8507



Chuck Hook
Accessory Model 8520



Vise Hook
Accessory Model 8515



Nylon Sling
Accessory Model 8510 Series