

“I was so impressed with this portable lifting device; I even bought the Sky Hook Model 8540 w/Receiver Hitch base for my personal use. It fits on my truck, as well as with the Sky Hook Model 8557 base stand in my home shop.”

-Robert L Walker, Aerospace Engineering Tech, NASA’s Ames Research Center

MODEL 8540



Designed to fit standard 2” receiver hitch

- Designed to load and unload materials or heavy awkward items with the convenience of a receiver hitch mount
- Load limit 500 lbs. (227 kg)
- Sky Hook weighs 26 lbs. (11.8 kg)
- Base weighs 21 lbs. (9.5 kg)
- Prevents lifting injuries
- Does the work of 4 people
- Meets O.S.H.A. requirements



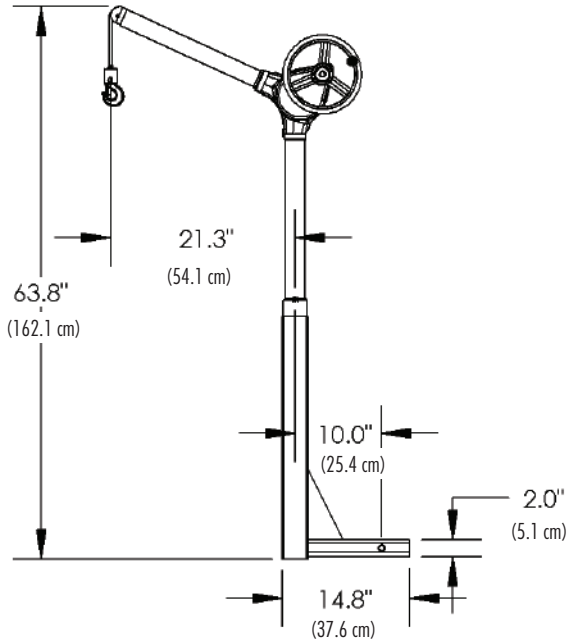
Lifting Applications

Ideal for sliding into the receiver hitch of a truck or service van to handle a large variety of lifting applications.

industry leader since 1969

SKY HOOK

MODEL 8540 w/RECEIVER HITCH BASE



Sky Hook Model 8540 w/Receiver Hitch Base is designed specifically for lifting and loading or unloading of items into–or out of–your service van or truck. Lightweight, portable, and easily detached, Model 8540 is great for do-it-yourselfers, mechanics, repairmen, movers, contractors, and anyone with a heavy item that needs safe lifting. Whether you want to lift machine parts or lumber, generators or pumps, Model 8540 allows you to lift and position up to 500 lbs. without the need for electricity.

As you safely load onto or unload out of vehicle’s bed– using only one hand–Model 8540 does the work of four people for less than the cost of a forklift. This precision engineered solution is also easily disassembled for storage, giving you flexibility wherever you need to transport materials or heavy and awkward items.

Model 8540 slips directly into a standard 2” Class 3 receiver hitch and has a T-Handle to prevent rotation when not in use. For specialty applications, custom units of Sky Hook Model 8540 are also available.

For more descriptive product info visit www.skyhookmfr.com



Specifications

- Load limit 500 lbs. (227 kg)
- Sky Hook weighs 26 lbs. (11.8 kg)
- Base weighs 21 lbs. (9.5 kg)
- Pivots 360°
- 75” (190.5 cm) Length of lift
- Overall height of Sky Hook including base is 63.8” (162.1 cm)
- One rotation of hand wheel = approx. 1” (2.5 cm) of vertical lift
- T-Handle to lock rotation
- Constructed of high-strength steel

Features & Benefits

- Designed to load and unload materials or heavy awkward items with the convenience of a receiver hitch mount
- No drilling or welding required
- Prevents lifting injuries
- Uses one hand operation that does the work of 4 people
- Rotate 360°
- One person can safely lift & position up to 500 lbs. (227 kg)
- Designed for precision positioning
- Totally maintenance free
- Boom removable for easy storage
- Disassembles for transport
- Has a limited manufacturer’s warranty
- Meets applicable O.S.H.A. requirements

Accessories



Choker Collar
Accessory Model 8507



Chuck Hook
Accessory Model 8520



Vise Hook
Accessory Model 8515



Nylon Sling
Accessory Model 8510 Series