

“The Sky Hook Model 8527 turned an arduous task into something simple and assured us of back injury prevention.”

-Sgt. Eric Womack, San Diego Harbor Police

MODEL 8527



- Designed to bolt easily to any suitable flat surface
- Load limit 500 lbs. (227 kg)
- Sky Hook weighs 26 lbs. (11.8 kg)
- Base weighs 12 lbs. (5.4 kg)
- Prevents lifting injuries
- Does the work of 4 people
- Meets O.S.H.A. requirements

Lifting Applications

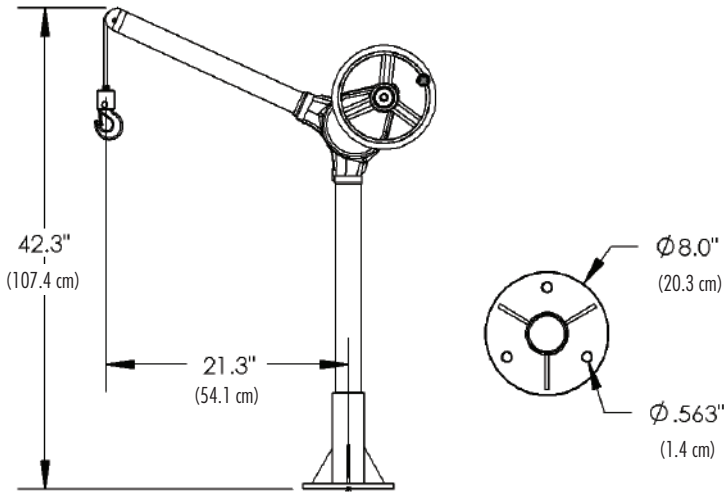
Ideal for mounting to bench, service truck/van or heavy cart to handle a large variety of general lifting applications.

industry leader since 1969

SKY HOOK

MODEL 8527 w/BOLT DOWN BASE

Sky Hook Model 8527 gives you the added muscle needed to prevent serious back injuries. Ideal for mounting to a bench, a service truck/van, or a heavy cart, Model 8527 is designed to make lifting safe, simple, and affordable.



The Sky Hook Model 8527 has a 75" length of lift that makes lifting up to 500 lbs. possible for one person, yet the Sky Hook itself weighs just 26 lbs. Crafted for consumers who usually need two or more people to move or lift machine parts or heavy items, Model 8527 pivots 360° for precision positioning.

Designed to mount onto any suitable flat surface, Sky Hook Model 8527 functions well in tight working conditions and is less expensive than a forklift, overhead crane, or chain hoist. Because its one-handed operation does the work of four people, Model 8527 is especially suited for those who need an effective yet totally maintenance-free lifting tool. For specialty applications, custom units of Sky Hook Model 8527 are also available.

For more descriptive product info visit www.skyhookmfr.com

Specifications



- Load limit 500 lbs. (227 kg)
- Sky Hook weighs 26 lbs. (12 kg)
- Base weighs 12 lbs. (5.4 kg)
- Pivots 360°
- 75" (190.5 cm) Length of lift
- Overall height of Sky Hook including base is 42.3" (107.4 cm)
- One rotation of hand wheel = approx. 1" (2.5 cm) of vertical lift
- Easily detached and carried to different locations
- Constructed of high-strength steel

Features & Benefits

- Designed to bolt easily to any suitable flat surface
- Prevents lifting injuries
- Uses one hand operation that does the work of 4 people
- Safely lift & position up to 500 lbs. (227kg) with one person
- Rotates 360°
- Designed for precision positioning
- Operates in tight working conditions
- Is totally maintenance free
- Has removable boom for easy transport
- Has a limited manufacturer's warranty
- Meets applicable O.S.H.A. requirements

Accessories



Choker Collar
Accessory Model 8507



Chuck Hook
Accessory Model 8520



Vise Hook
Accessory Model 8515



Nylon Sling
Accessory Model 8510