

Lift a Drum with Your Crane

Model 86
made of
carbon steel
painted blue



Safety Conscious Lifters with Under-Drum Support

- Attach to crane, monorail or hoist
- Set drum on bottom support
- Secure chain around drum
- Lift steel, plastic or fiber drum
- Capacity: 1,000 Lb. (454 kg)

Lift and Transport Steel, Plastic or Fiber Drum:

- 22" to 23.5" (55.9 cm to 59.7 cm) diameter
- 23" to 38" (58.4 cm to 96.5 cm) tall
- Accepts Diameter Adaptors for smaller drum down to 14" (35.6 cm) diameter

Where is this drum lifter used?

- Docks and mezzanines
- Oil rigs and other marine applications
- Construction sites

Model 86-SS
made of
type 304
stainless steel



Attach the drum lifter to your hoist or crane to lift and move an upright drum. You may also attach it to your forklift with Morse model 284 Fork Hook.



Model 284 Fork Hook

Secure drum with web strap and ratchet positive grip mechanism around the drum. Drum is supported from below by a bar at the bottom. This ensures that your drum will be transported safely with no chance of sliding out. No tools are necessary.

Once loaded, the unit carries the drum without tilting it.

Each Model 86 and 86-SS is load tested at the factory at 125% of rated capacity as per American National Standard ASME B30.20. A load test certificate is shipped with each unit.

Options



Option # 6314i-P
Cinch Chain and Ratchet
Factory installed on new model 86

This option is often preferred in applications with caustic or abrasive materials. The alloy cinch chain is a longer lasting option, more resistant to wear, heat, chemicals, etc.



Kit # 6314-P
Cinch Chain and Ratchet
For customer to install on model 86

55/30 Series
Diameter Adaptors for Smaller Drums



MADE
IN
USA

86 Series Below-Hook Drum Lifters

86 Series Drum Lifters

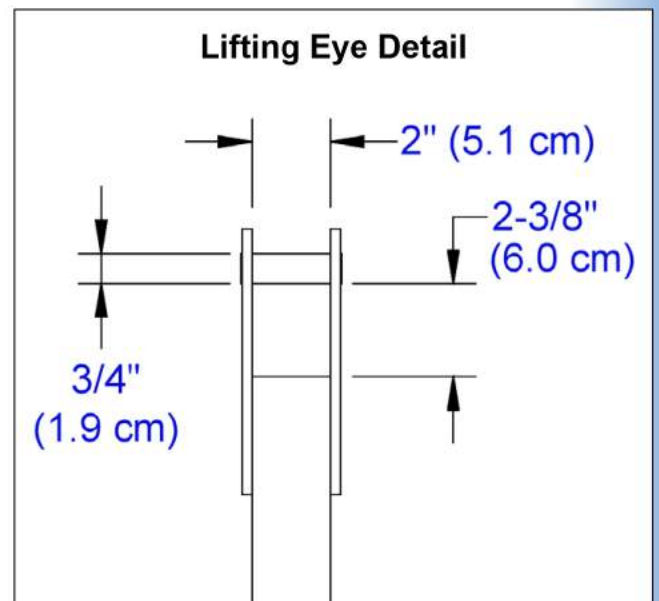
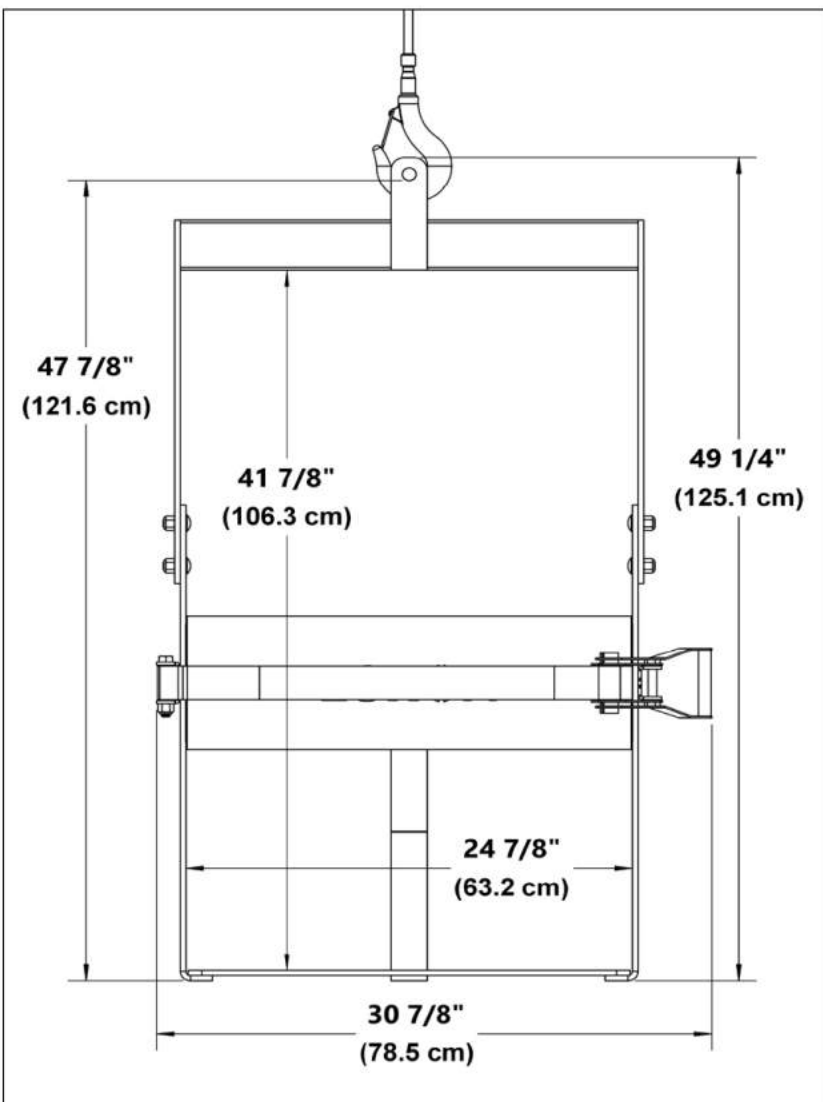
Model #	Description	Capacity	Domestic Ship Weight	Domestic Ship Dimensions
86	Drum Lifter with web strap around drum	1,000 Lb. (454 kg)	56 Lb. (25.4 kg)	L28" x W19" x H30" (71 x 48 x 76 cm)
86-SS	Stainless Steel Drum Lifter with web strap around drum	1,000 Lb. (454 kg)	56 Lb. (25.4 kg)	L28" x W19" x H30" (71 x 48 x 76 cm)

Options

Option #	Description	Domestic Ship Weight	Domestic Ship Dimensions
6314i-P	Cinch Chain and ratchet factory installed on model 86	-	-
6314-P	Cinch Chain and ratchet kit for customer to install on model 86	12 Lb. (5.4 kg)	L9.5" x W9.5" x H17" (24 x 24 x 43 cm)
55/30 Series	Diameter Adaptors for smaller drums		

MADE
 IN
 USA

Drum Lifter Dimensions for Model 86 and Model 86-SS



~ ~ **Custom Drum Lifters** ~ ~



Custom Model # 86S-2D for 2 drums
 Capacity: 2,000 Lb. (907 kg) total, 1,000 Lb. (454 kg) per drum



Custom Model # 86S-2LP with 2 lifting points
 Capacity: 1,000 Lb. (454 kg)



Custom Model # 86S-FP with fork pockets, and 1,000 Lb. (454 kg) capacity



Custom Model # 86S-FPHD with fork pockets, and 2,000 Lb. (907 kg) capacity



Custom Model # 86S-3LP with 3 lifting points
 Capacity: 1,000 Lb. (454 kg)

MADE
 IN
 USA

Custom Drum Lifters

Model #	Description	Capacity	Domestic Ship Weight	Domestic Ship Dimensions
86S-2D	Drum Lifter for 2 drum	1,000 Lb. (454 kg) per drum	180 Lb. (81.6 kg)	L48" x W40" x H57" (122 x 102 x 145 cm)
86S-2LP	Drum Lifter with 2 lifting points	1,000 Lb. (454 kg)	65 Lb. (29.5 kg)	L28" x W19" x H30" (71 x 48 x76 cm)
86S-3LP	Drum Lifter with 3 lifting points	1,000 Lb. (454 kg)	72 Lb. (34 kg)	L28" x W19" x H30" (71 x 48 x76 cm)
86S-FP	Drum Lifter with added fork pockets	1,000 Lb. (454 kg)	118 Lb. (53.5 kg)	L37" x W33" x H37" (94 x 84 x 94 cm)
86S-FPHD	Heavy-Duty Drum Lifter with added fork pockets	2,000 Lb. (907 kg)	241 Lb. (109 kg)	L37" x W33" x H58" (94 x 84 x 147 cm)