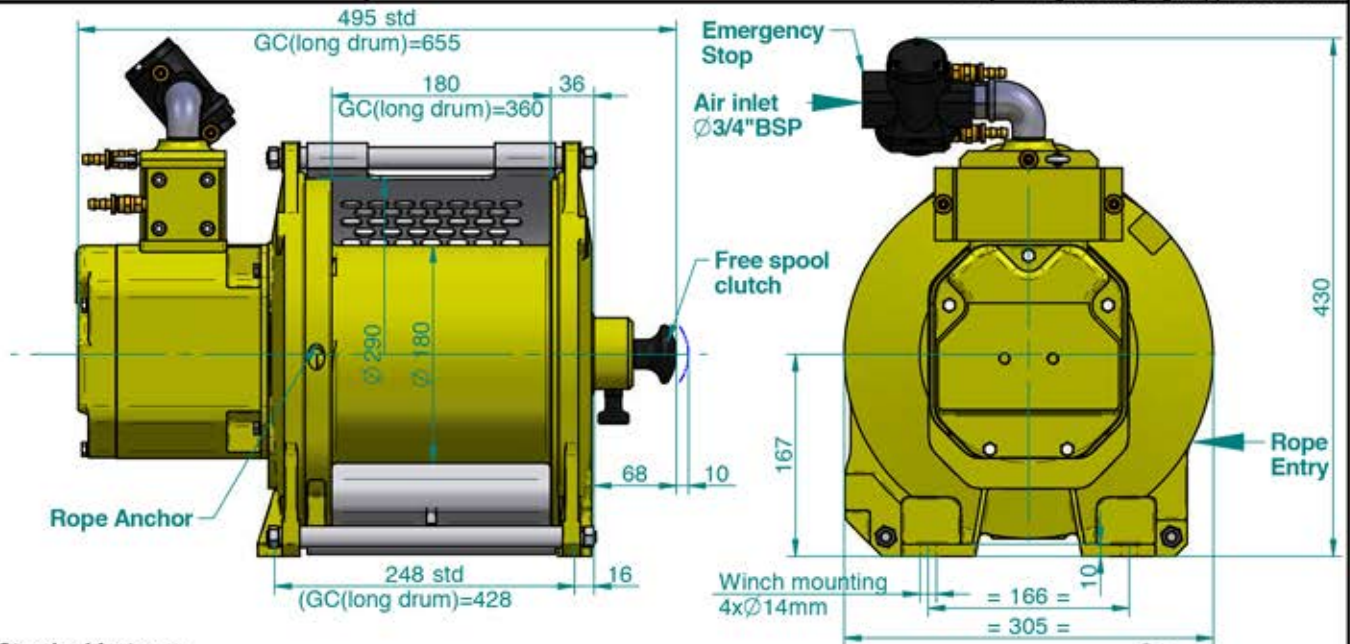


PULLSTAR AIR WINCH SERIES

Models: PS2400R-PH-E
 PS2400RGC-PH-E
 Pulling capacity: 2400Kg



IREP Drawing Number	Rev.
09/02/16-L631	
Customer Drawing Number	
Folio 1/1	
Engineering Mgr. approval: JLF	



Standard features:

- Light weight and compact design .Easy to carry.
- Robust steel construction.
- Main air emergency stop.
- Automatic fail safe disc brake (no adjustment required).
- Manual disengaging clutch.
- Reliable gear type air motor in composite material.
- High efficiency planetary gear box.
- Drum guard.
- Flameproof by nature.
- Low noise level, quiet operation.
- Individually load test before shipment.
- Variable speed and precise positioning though PHS progressive remote pilot control.

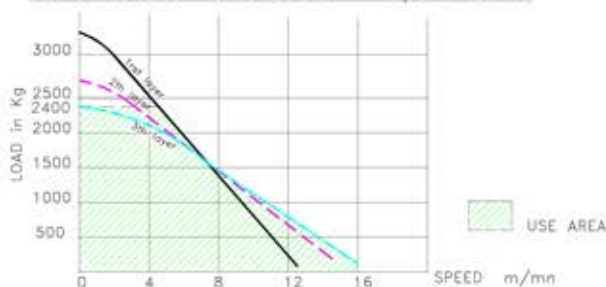
Nota : In their standard design, Pullstar winches are classified as equipment ATEX category 2 for applications in zone 1 and 2 of group II.
 (Surface industry, as per ATEX 94/9/CE directive) Marking Ex II 2 GD c IIB135°C X .

**It is strongly recommended to use a lubricating and a filtration system on the compressed air line.
 The compressed air temperature must not exceed 65°C at the motor air inlet.
 For higher temperature ,please consult us.*

Options:

- Marine and offshore paint including sandblasting.
- Lifting version (Liftstar series).

Performances at 6.3 bar - rope Ø10mm.



Technical data (at 6.3bar)*:

Model	PS2400R	PS2400RGC
Rated capacity (Kg)	2400 (at first layer)	
Pulling speed at rated load (m/min)	4 (at first layer)	
Air consumption at rated load (m³/min)	5	
Working pressure range (Bar)	4 to 7*	
Full drum capacity - rope Ø9 (m)	79	163
Weight without rope (kg)	66	84

*: A working pressure lower than 6,3Bar will result in reduced performances.

Cumulated rope capacity (m) / number of layers

Layers nbr:	1	2	3	4	5	6
STANDARD MODEL (short drum)						
Rope dia. 9mm	9	21	34	48	63	79
Rope dia. 10mm	8	19	30	43	57	
GC MODEL (long drum)						
Rope dia. 9mm	20	45	71	100	131	163
Rope dia. 10mm	18	40	65	91	120	

PHS control pendent with Emergency Stop

