

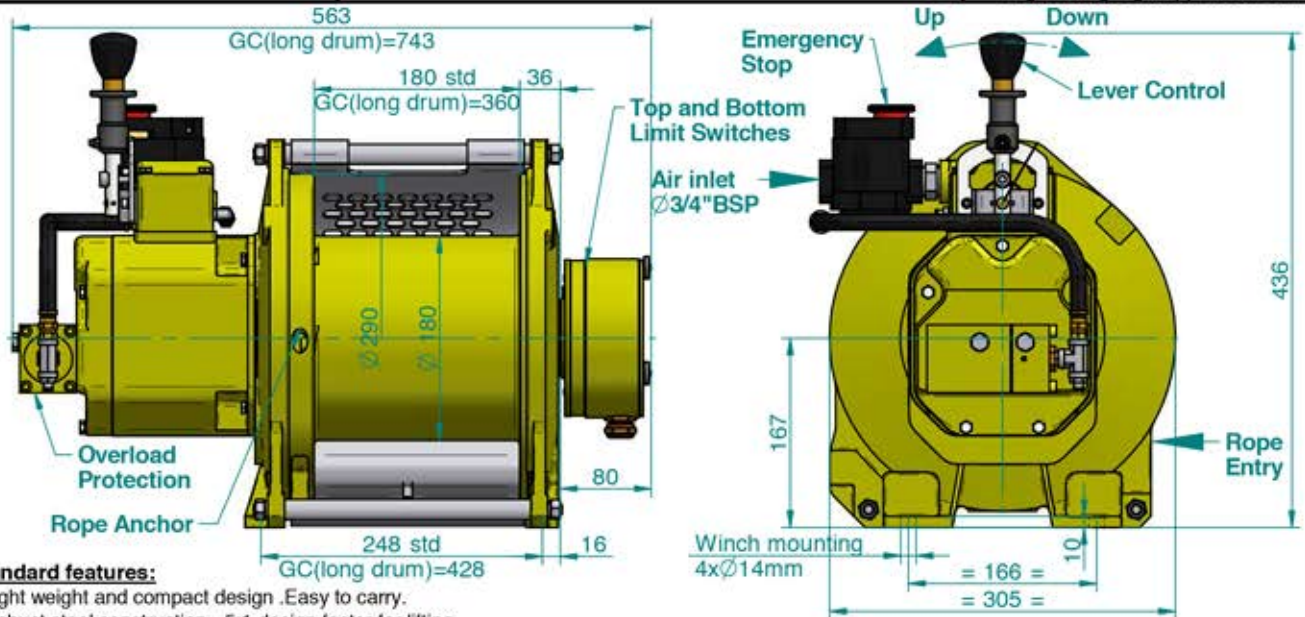
# LIFSTAR AIR WINCH SERIES

## Models: LS1500R-L-CE LS1500RGC-L-CE

### Lifting capacity: 1500Kg



IREP Drawing Number	Rev.
09/02/05-L644	
Customer Drawing Number	
Folio 1/1	
Engineering Mgr. approval: JLF	



**Standard features:**

- Light weight and compact design .Easy to carry.
- Robust steel construction - 5:1 design factor for lifting.
- Overload protection device adjusted at factory during load tests.
- Main air emergency stop.
- Top and bottom limit switches.
- Automatic fail safe disc brake (no adjustment required).
- Reliable gear type air motor in composite material.
- High efficiency planetary gear box.
- Drum guard.
- Flameproof by nature.
- Low noise level, quiet operation.
- Individually load test before shipment.
- Variable speed and precise positioning though direct control lever with "liftt & Shift" system with automatic return to neutral position.

**Nota :** In their standard design, Liftstar winches are classified as equipment ATEX category 2 for applications in zone 1and 2 of group II.  
 (Surface industry, as per ATEX 94/9/CE directive ) Marking Ex II 2 GD c IIB135° X .

*It is strongly recommended to use a lubricating and a filtration system on the compressed air line. The compressed air temperature must not exceed 65°C at the motor air inlet. For higher temperature ,please consult us.*

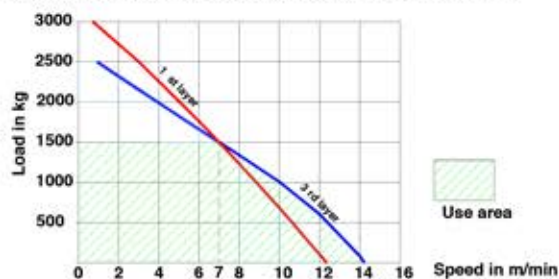
**Options:**

- PHS progressive remote pilot pendant control.
- Full flow remote control.
- Marine and offshore paint including sandblasting.
- Special pulling version with manual disengaging clutch (Pullstar series).

**FEM classification:**

Driving mechanism classification 1Bm.

**Performances at 6.3 bar (90PSI) - Rope  $\varnothing 10$ mm**



**Cumulated rope capacity (m) / number of layers**

Layers nbr:	1	2	3	4	5	6
<b>STANDARD MODEL (short drum)</b>						
Rope dia. 9mm	9	21	34	48	63	79
Rope dia. 10mm	8	19	30	43	57	
<b>GC MODEL ( long drum)</b>						
Rope dia. 9mm	20	45	71	100	131	163
Rope dia. 10mm	18	40	65	91	120	

Working rope capacity

**Technical data (at 6.3bar):**

Model	LS1500R	LS1500RGC
Rated capacity (Kg)	1500	
Lifting speed at rated load (m/min)	7	
Air consumption at rated load (m <sup>3</sup> /min)	5	
Working pressure range (Bar)	4 to 7	
Working rope $\varnothing 9$ capacity (m)	48	100
Full drum storage capacity-rope $\varnothing 9$ - (m)	79	163
Weight without rope (kg)	67	79

